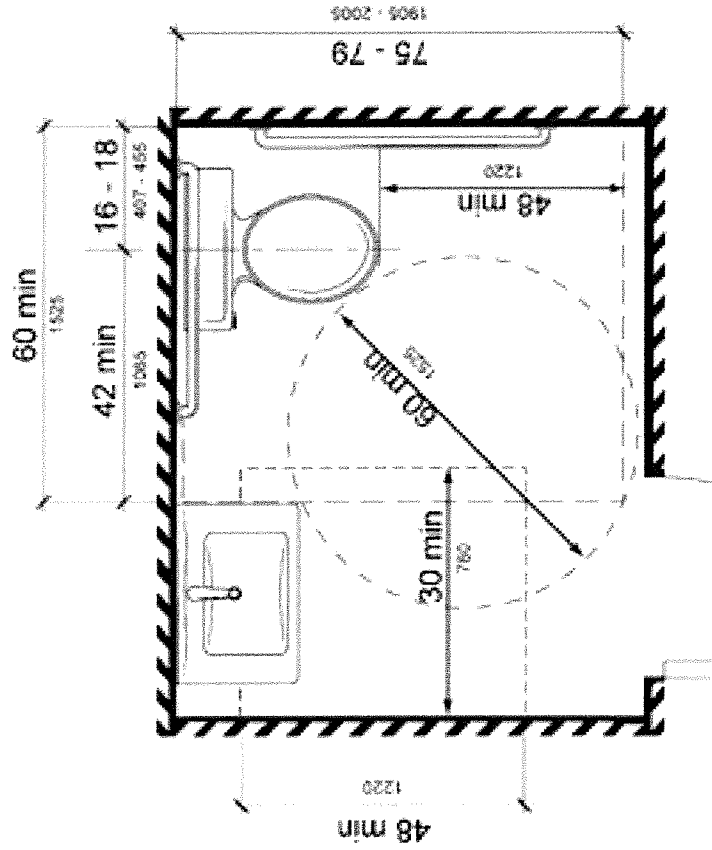
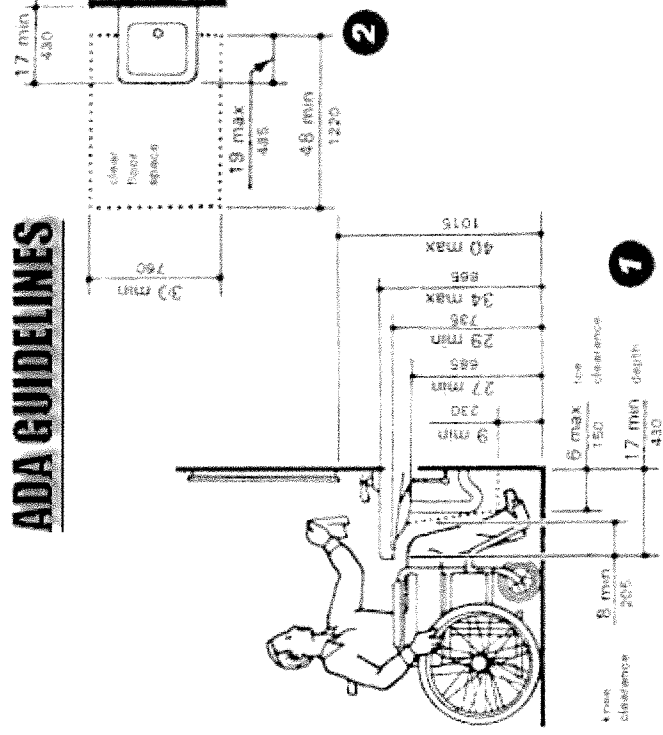


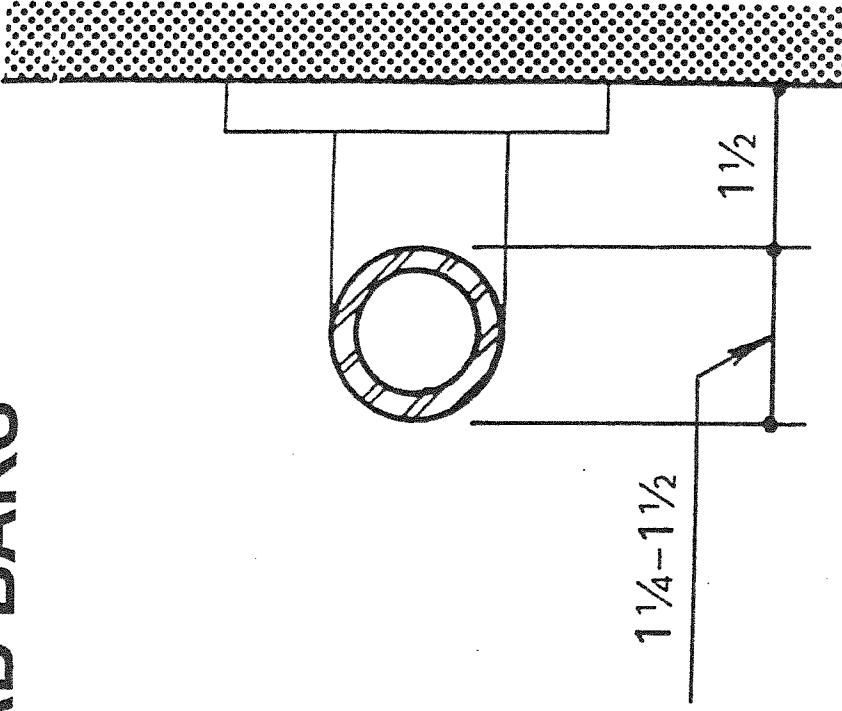
REQUIREMENTS FOR ACCESSIBLE BATHROOMS 2015



ADA GUIDELINES



GRAB BARS



The diameter or width of the gripping surfaces of a grab bar shall be $1\frac{1}{4}$ inches to $1\frac{1}{2}$ inches or the shape shall provide an equivalent gripping surface. If grab bars are mounted adjacent to a wall, the space between the wall and the grab bar shall be $1\frac{1}{2}$ inches.

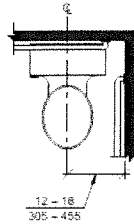
604.11 Water closets and toilet compartments for children's use.

604.11.1 General.

Accessible water closets and toilet compartments primarily for children's use shall comply with Section 604.11.

604.11.2 Location.

The water closet primarily for children's use shall be located with a wall or partition to the rear and to one side. The centerline of the water closet shall be 12 inches (305 mm) minimum and 18 inches (455 mm) maximum from the side wall or partition. Water closets located in ambulatory accessible toilet compartments specified in Section 604.10 shall be located as specified in Section 604.2.



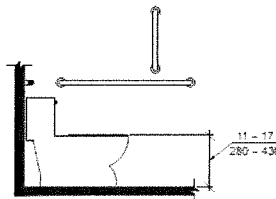
**FIGURE 604.11.2
CHILDREN'S WATER CLOSET LOCATION**

604.11.3 Clearance.

A clearance around the water closet primarily for children's use complying with Section 604.3 shall be provided.

604.11.4 Height.

The height of water closet seats primarily for children's use shall be 11 inches (280 mm) minimum and 17 inches (430 mm) maximum above the floor, measured to the top of the seat. Seats shall not be sprung to return to a lifted position.



Note: For adult dimensions see Figure 604.4

**FIGURE 604.11.4
CHILDREN'S WATER CLOSET HEIGHT**

604.11.5 Grab bars.

Grab bars for water closets primarily for children's use shall comply with Section 604.5.

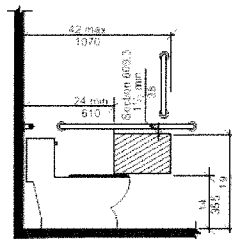
604.11.6 Flush controls.

Flush controls primarily for children's use shall be hand operated or automatic. Hand operated flush controls shall comply with Sections 309.2 and 309.4 and shall be installed 36 inches (915 mm) maximum above the floor. Flush controls shall be located on the open side of the water closet.

Exception: In ambulatory accessible compartments complying with Section 604.10, flush controls shall be permitted to be located on either side of the water closet.

604.11.7 Dispensers.

Toilet paper dispensers primarily for children's use shall comply with Section 309.4. The outlet of dispensers shall be located within an area 24 inches (610 mm) minimum and 42 inches (1065 mm) maximum from the rear wall. The outlet of the dispenser shall be 14 inches (355 mm) minimum and 19 inches (485 mm) maximum above the floor. There shall be a clearance of 1 1/2 inches (38 mm) minimum below the grab bar. Dispensers shall not be of a type that control delivery or do not allow continuous paper flow.



Note: For adult dimensions see Figure 604.7

**FIGURE 604.11.7
CHILDREN'S DISPENSER OUTLET LOCATION**

604.9.4 Approach.

Wheelchair accessible compartments shall be arranged for left-hand or right-hand approach to the water closet.

604.9.5 Toe clearance.

Toe clearance for compartments primarily for children's use shall comply with Section 604.9.5.2. Toe clearance for other wheelchair accessible compartments shall comply with Section 604.9.5.1.

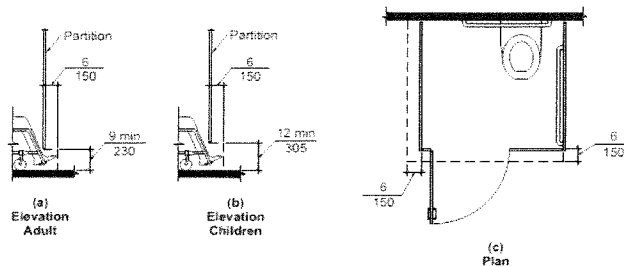


FIGURE 604.9.5
WHEELCHAIR ACCESSIBLE COMPARTMENT TOE CLEARANCE

604.9.5.1 Toe clearance at compartments.

The front partition and at least one side partition shall provide a toe clearance of 9 inches (230 mm) minimum above the floor and extending 6 inches (150 mm) beyond the compartment side face of the partition, exclusive of partition support members.

Exceptions:

1. Toe clearance at the front partition is not required in a compartment greater than 62 inches (1575 mm) in depth with a wall-hung water closet, or greater than 65 inches (1650 mm) in depth with a floor-mounted water closet.
2. Toe clearance at the side partition is not required in a compartment greater than 66 inches (1675 mm) in width.

604.9.5.2 Toe clearance at compartments for children's use.

The front partition and at least one side partition of compartments primarily for children's use shall provide a toe clearance of 12 inches (305 mm) minimum above the floor and extending 6 inches (150 mm) beyond the compartment side face of the partition, exclusive of partition support members.

Exceptions:

1. Toe clearance at the front partition is not required in a compartment greater than 65 inches (1650 mm) in depth.
2. Toe clearance at the side partition is not required in a compartment greater than 66 inches (1675 mm) in width.

604.9.6 Grab Bars. Grab bars shall comply with Section 609.

Side wall grab bars complying with Section 604.5.1 located on the wall closest to the water closet, and a rear wall grab bar complying with Section 604.5.2, shall be provided.

604.10 Ambulatory accessible compartments.

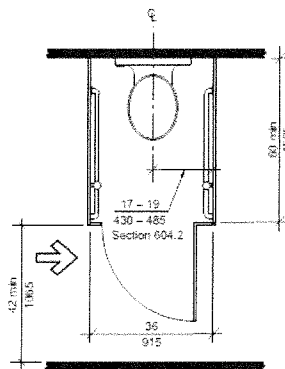


FIGURE 604.10
AMBULATORY ACCESSIBLE COMPARTMENT

604.10.1 General.

Ambulatory accessible compartments shall comply with Section 604.10.

604.10.2 Size.

The minimum area of an ambulatory accessible compartment shall be 60 inches (1525 mm) minimum in depth and 36 inches (915 mm) in width.

604.10.3 Doors.

Toilet compartment doors, including door hardware, shall comply with Section 404, except if the approach is to the latch side of the compartment door the clearance between the door side of the compartment and any obstruction shall be 42 inches (1065 mm) minimum. The door shall be self-closing. A door pull complying with Section 404.2.6 shall be placed on both sides of the door near the latch. Compartment doors shall not swing into the required minimum area of the compartment.

Exception: Door maneuvering clearance complying with Section 404.2.3.2 shall not be required on the compartment side of the door.

604.10.4 Grab bars.

Grab bars shall comply with Section 609. Side wall grab bars complying with Section 604.5.1 shall be provided on both sides of the compartment.

TABLE 604.9.3.1
DOOR OPENING LOCATION

DOOR OPENING LOCATION	MEASURED FROM	DIMENSION
Front Wall or Partition	From the side wall or partition closest to the water closet	56 inches (1420 mm) minimum
	or	
Side Wall or Partition Wall-Hung Water Closet	From the side wall or partition farthest from the water closet	4 inches (100 mm) maximum
	From the rear wall	52 inches (1320 mm) minimum
Side Wall or Partition Floor-Mounted Water Closet	or	
	From the front wall or partition	4 inches (100 mm) minimum
	From the rear wall	55 inches (1395 mm) minimum
Side Wall or Partition Floor-Mounted Water Closet	or	
	From the front wall or partition	4 inches (100 mm) maximum

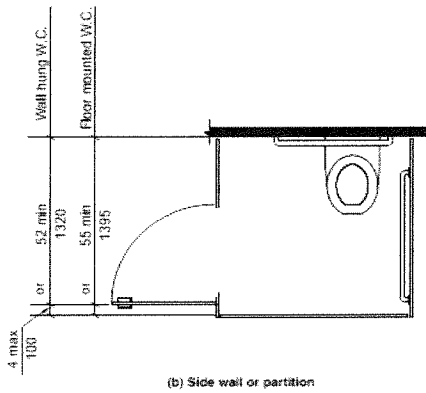
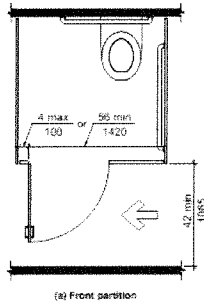


FIGURE 604.9.3.1
WHEELCHAIR ACCESSIBLE COMPARTMENT DOOR OPENINGS

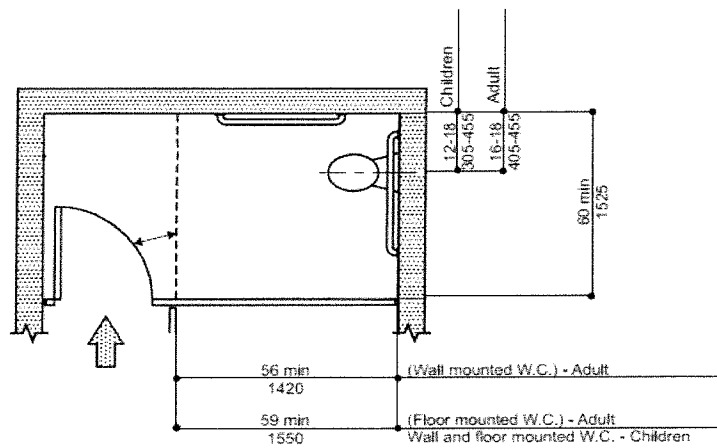


FIGURE 604.9.3.1(C)
WHEELCHAIR ACCESSIBLE COMPARTMENT DOOR OPENINGS—ALTERNATE

SECTION 605 URINALS

605.1 General.

Accessible urinals shall comply with Section 605.

605.2 Height and depth.

Urinals shall be of the stall type or shall be of the wall hung type with the rim at 17 inches (430 mm) maximum above the floor. Wall hung urinals shall be 13 7/8 inches (345 mm) minimum in depth measured from the outer face of the urinal rim to the wall.

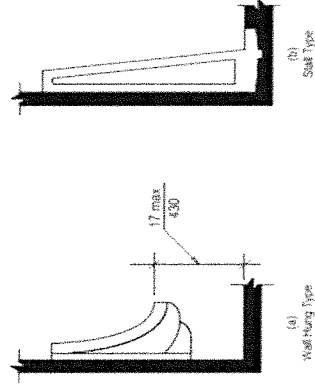


FIGURE 605.2
HEIGHT OF URINALS

605.3 Clear floor space.

A clear floor space complying with Section 305, positioned for forward approach, shall be provided.

605.4 Flush controls.

Flush controls shall be hand operated or automatic. Hand operated flush controls shall comply with Section 309.

SIDE WALL GRAB BARS FOR WATER CLOSET

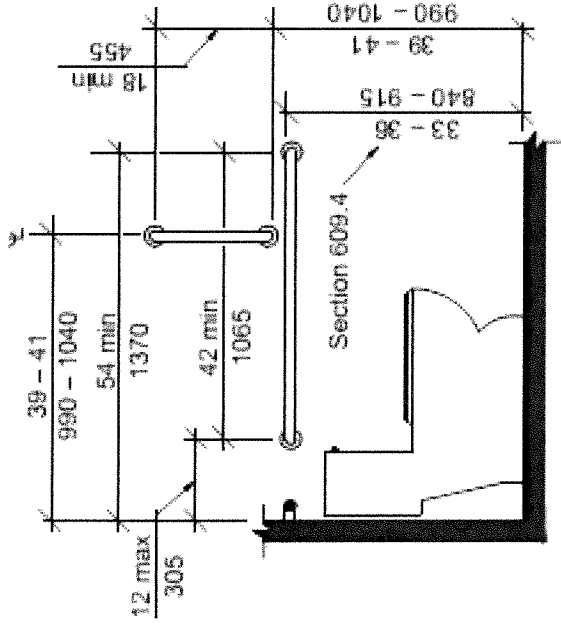


FIGURE 604.5.1 SIDE WALL GRAB BAR FOR WATER CLOSET

604.5.1.1 Horizontal fixed side wall grab bars.

Horizontal fixed side wall grab bars shall be 42 inches (1065 mm) minimum in length, located 12 inches (305 mm) maximum from the rear wall and extending 54 inches (1370 mm) minimum from the rear wall.

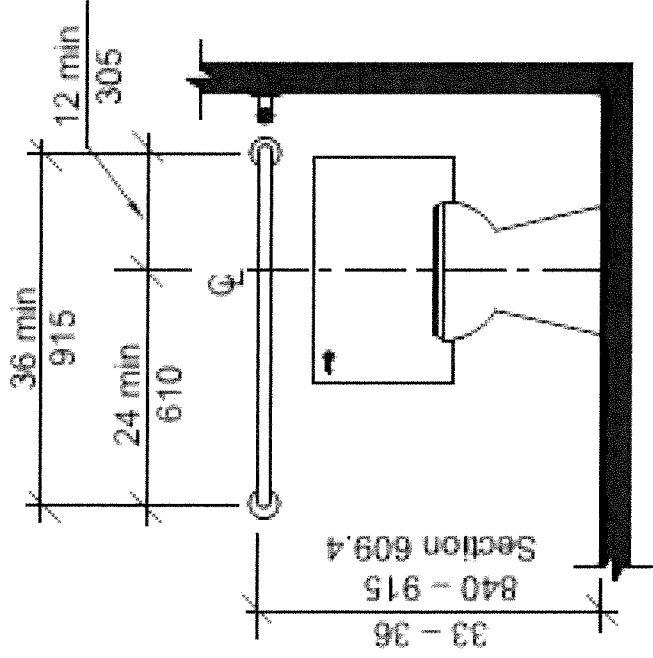
604.5.1.2 Vertical fixed side wall grab bars.

Vertical fixed side wall grab bars shall be 18 inches (455 mm) minimum in length and shall be mounted with the bottom of the bar located 39 inches (990 mm) minimum and 41 inches (1040 mm) maximum above the floor, with the centerline of the bar located 39 inches (990 mm) minimum and 41 inches (1040 mm) maximum from the rear wall.

604.5.1.2.1 Children's use vertical fixed side wall grab bars.

Vertical fixed side wall grab bars primarily for children's use shall be 18 inches (455 mm) minimum in length and be mounted with the bottom of the bar located between 21 inches (535 mm) minimum and 30 inches (760 mm) maximum above the floor, with the centerline of the bar located between 34 inches (865 mm) minimum and 36 inches (915 mm) maximum from the rear wall.

REAR GRAB BAR



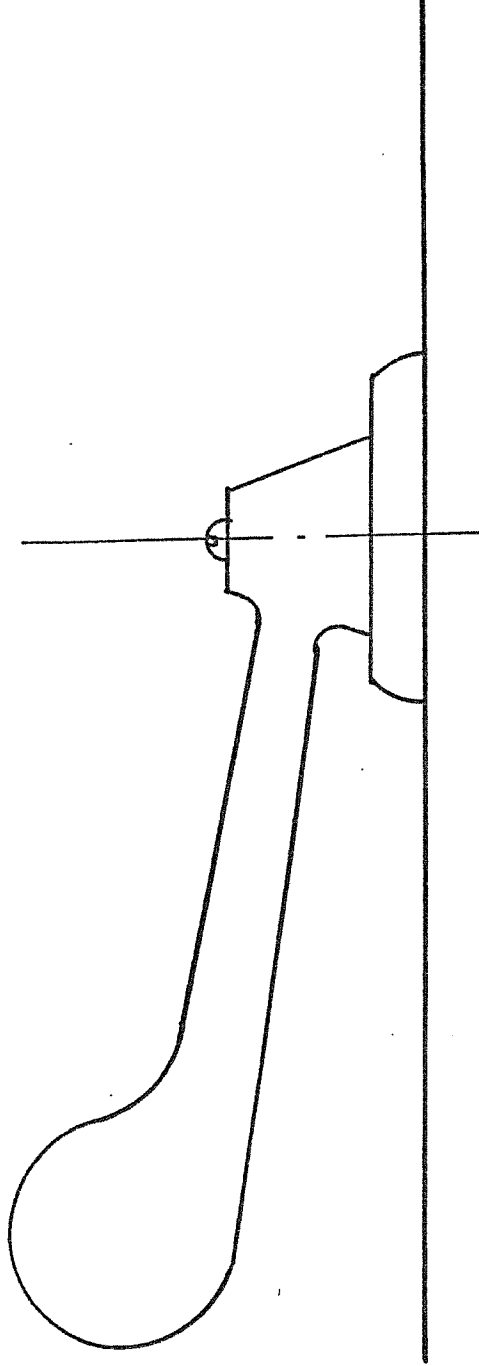
604.5.2 Rear wall grab bars.

The rear wall grab bar shall be 36 inches (915 mm) minimum in length, and extend from the centerline of the water closet 12 inches (305 mm) minimum on the side closest to the wall, and 24 inches (610 mm) minimum on the transfer side.

Exceptions:

1. The rear grab bar shall be permitted to be 24 inches (610 mm) minimum in length, centered on the water closet, where wall space does not permit a grab bar 36 inches (915 mm) minimum in length due to the location of a recessed fixture adjacent to the water closet.
2. Where an administrative authority requires flush controls for flush valves to be located in a position that conflicts with the location of the rear grab bar, that grab bar shall be permitted to be split or shifted to the open side of the toilet area.

FAUCETS



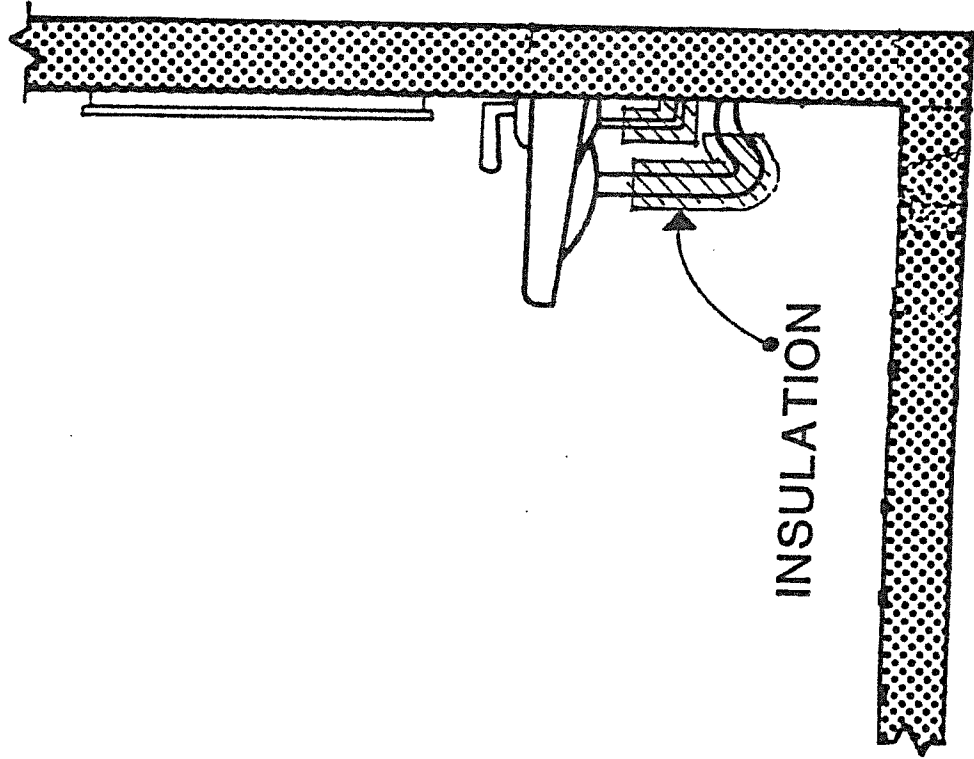
Operable parts of equipment and appliances shall be operable with one hand and shall not require tight grasping, pinching, or twisting of the wrist. The force required to activate operable parts shall be 5 pound maximum.

Self-closing faucets, when used, shall remain open for 10 seconds minimum. Self-closing faucets which require an individual to reach forward and push down to activate the mechanism shall not be used at accessible locations.

CABO/ANSI A117.1 1992 4.25.4
MN RULES 1340-1995

LAVATORIES

Water supply and drain pipes under lavatories or sinks shall be insulated or otherwise configured to protect against contact. There shall be no sharp or abrasive surfaces under lavatories and sinks.



CABO/ANSI A117.1 1992 4.20.4